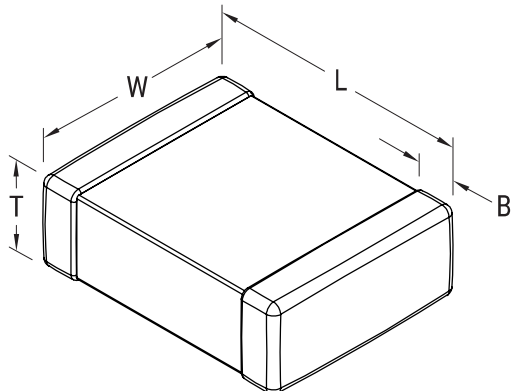


KEMET Part Number: M3253504E1C101JZMB
(C0805K101J2EML)

SMD MIL C0G PRF32535, Ceramic, Military/High Reliability, 100 pF, 5%, 200 VDC, C0G, SMD, Low ESR, MIL-PRF-32535, N/A, 0805



Dimensions	
L	2.01mm +/-0.25mm (0.079 in +/-0.01 in)
W	1.27mm +/-0.25mm (0.05 in +/-0.01 in)
T	1.52mm MAX (0.06 in MAX)
B	0.51mm +/-0.25mm (0.02 in +/-0.01 in)

Packaging Specifications	
Packaging:	Waffle
Packaging Quantity:	100

General Information	
Supplier:	KEMET
Series:	SMD MIL C0G PRF32535
Style:	SMD Chip
Description:	SMD, Low ESR, MIL-PRF-32535
RoHS:	No
Prop 65:	WARNING: Cancer and reproductive harm - www.p65warnings.ca.gov .
REACH:	SVHC (Pb – CAS 7439-92-1)
Termination:	Solder Plated
Failure Rate:	N/A
Qualifications:	MIL-PRF-32535 M-Level
Chip Size:	0805

Specifications	
Capacitance:	100 pF
Capacitance Tolerance:	5%
Voltage DC:	200 VDC
Dielectric Withstanding Voltage:	500 V
Temperature Range:	-55/+125C
Temperature Coefficient:	C0G
Dissipation Factor:	0.15% 1MHz 25C
Aging Rate:	0% Loss/Decade Hour
Insulation Resistance:	100 GOhms