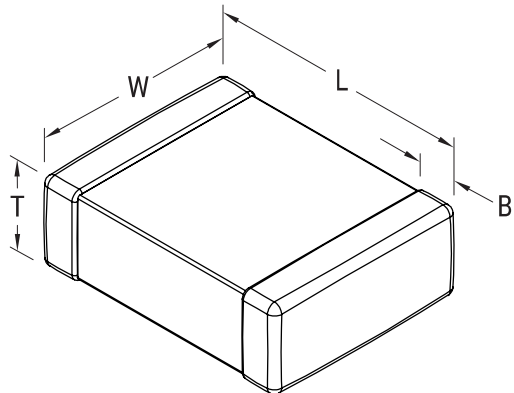


**KEMET Part Number: M3253505E1C102JZMB**  
(C1206K102J2EML)

SMD MIL C0G PRF32535, Ceramic, Military/High Reliability, 1000 pF, 5%, 200 VDC, C0G, SMD, Low ESR, MIL-PRF-32535, N/A, 1206



Dimensions	
L	3.2mm +/-0.25mm (0.126 in +/-0.01 in)
W	1.6mm +/-0.25mm (0.063 in +/-0.01 in)
T	1.78mm MAX (0.07 in MAX)
B	0.51mm +/-0.36mm (0.02 in +/-0.014 in)

Packaging Specifications	
Packaging:	Waffle
Packaging Quantity:	126

General Information	
Supplier:	KEMET
Series:	SMD MIL C0G PRF32535
Style:	SMD Chip
Description:	SMD, Low ESR, MIL-PRF-32535
RoHS:	No
Prop 65:	<b>WARNING:</b> Cancer and reproductive harm - <a href="http://www.p65warnings.ca.gov">www.p65warnings.ca.gov</a> .
REACH:	SVHC (Pb – CAS 7439-92-1)
Termination:	Solder Plated
Failure Rate:	N/A
Qualifications:	MIL-PRF-32535 M-Level
Chip Size:	1206

Specifications	
Capacitance:	1000 pF
Capacitance Tolerance:	5%
Voltage DC:	200 VDC
Dielectric Withstanding Voltage:	500 V
Temperature Range:	-55/+125C
Temperature Coefficient:	C0G
Dissipation Factor:	0.15% 1MHz 25C
Aging Rate:	0% Loss/Decade Hour
Insulation Resistance:	100 GOhms