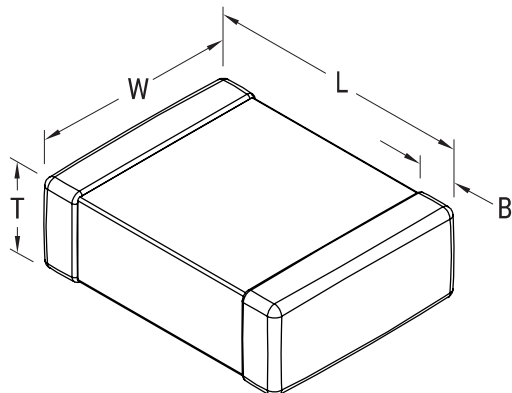


KEMET Part Number: M3253505E1B103JZMB
(C1206K103J1EML)

SMD MIL C0G PRF32535, Ceramic, Military/High Reliability, 0.01 uF, 5%, 100 VDC, C0G, SMD, Low ESR, MIL-PRF-32535, N/A, 1206



Dimensions

L	3.2mm +/-0.25mm (0.126 in +/-0.01 in)
W	1.6mm +/-0.25mm (0.063 in +/-0.01 in)
T	1.78mm MAX (0.07 in MAX)
B	0.51mm +/-0.36mm (0.02 in +/-0.014 in)

Packaging Specifications

Packaging:	Waffle
Packaging Quantity:	126

General Information

Supplier:	KEMET
Series:	SMD MIL C0G PRF32535
Style:	SMD Chip
Description:	SMD, Low ESR, MIL-PRF-32535
RoHS:	No
Prop 65:	WARNING: Cancer and reproductive harm - www.p65warnings.ca.gov .
REACH:	SVHC (Pb – CAS 7439-92-1)
Termination:	Solder Plated
Failure Rate:	N/A
Qualifications:	MIL-PRF-32535 M-Level
Chip Size:	1206

Specifications

Capacitance:	0.01 uF
Capacitance Tolerance:	5%
Voltage DC:	100 VDC
Dielectric Withstanding Voltage:	250 V
Temperature Range:	-55/+125C
Temperature Coefficient:	C0G
Dissipation Factor:	0.15% 1MHz 25C
Aging Rate:	0% Loss/Decade Hour
Insulation Resistance:	100 GOhms