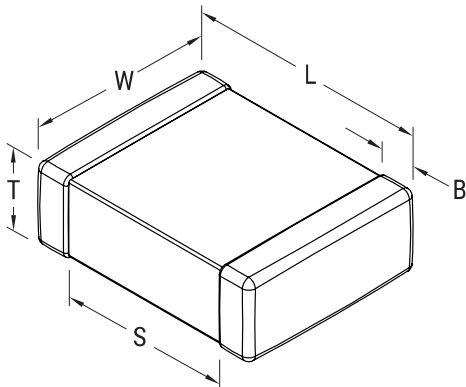


KEMET Part Number: C0603S223K3RACTU
(C0603S223K3RAC7867)

SMD Comm X7R FE, Ceramic, Floating Electrode, 0.022 uF, 10%, 25 VDC, X7R, SMD, MLCC, FE-CAP, Floating Electrode, Temperature Stable, 0603



Dimensions	
L	1.6mm +/-0.15mm
W	0.8mm +/-0.15mm
T	0.8mm +/-0.07mm
S	0.7mm MIN
B	0.35mm +/-0.15mm

Packaging Specifications	
Packaging:	T&R, 180mm, Paper Tape
Packaging Quantity:	4000

General Information	
Supplier:	KEMET
Series:	SMD Comm X7R FE
Style:	SMD Chip
Description:	SMD, MLCC, FE-CAP, Floating Electrode, Temperature Stable
Features:	FE-CAP, Floating Electrode, Temperature Stable
RoHS:	Yes
Termination:	Tin
Marking:	No
Miscellaneous:	Note: Referee time for X7R dielectric for this part number is 1000 hours
Chip Size:	0603

Specifications	
Capacitance:	0.022 uF
Capacitance Tolerance:	10%
Voltage DC:	25 VDC
Dielectric Withstanding Voltage:	62.5 V
Temperature Range:	-55/+125C
Temperature Coefficient:	X7R
Dissipation Factor:	3.50% 1kHz 25C
Aging Rate:	3% Loss/Decade Hour
Insulation Resistance:	45.455 GOhms