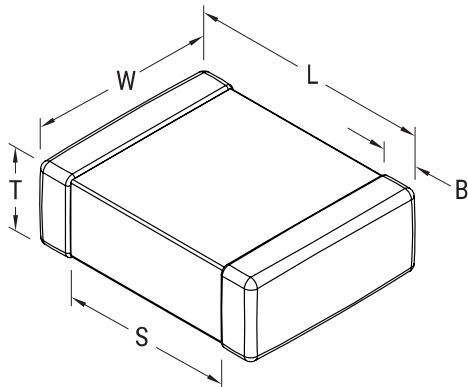


KEMET Part Number: C0805S104K5RACTU
(C0805S104K5RAC7800)

SMD Comm X7R FE, Ceramic, Floating Electrode, 0.1 uF, 10%, 50 VDC, X7R, SMD, MLCC, FE-CAP, Floating Electrode, Temperature Stable, 0805



Dimensions	
L	2mm +/-0.2mm
W	1.25mm +/-0.2mm
T	1.25mm +/-0.15mm
S	0.75mm MIN
B	0.5mm +/-0.25mm

Packaging Specifications	
Packaging:	T&R, 180mm, Plastic Tape
Packaging Quantity:	2500

General Information	
Supplier:	KEMET
Series:	SMD Comm X7R FE
Style:	SMD Chip
Description:	SMD, MLCC, FE-CAP, Floating Electrode, Temperature Stable
Features:	FE-CAP, Floating Electrode, Temperature Stable
RoHS:	Yes
Termination:	Tin
Marking:	No
Miscellaneous:	Note: Referee time for X7R dielectric for this part number is 1000 hours
Chip Size:	0805

Specifications	
Capacitance:	0.1 uF
Capacitance Tolerance:	10%
Voltage DC:	50 VDC
Dielectric Withstanding Voltage:	125 V
Temperature Range:	-55/+125C
Temperature Coefficient:	X7R
Dissipation Factor:	2.50% 1kHz 25C
Aging Rate:	3% Loss/Decade Hour
Insulation Resistance:	10 GOhms