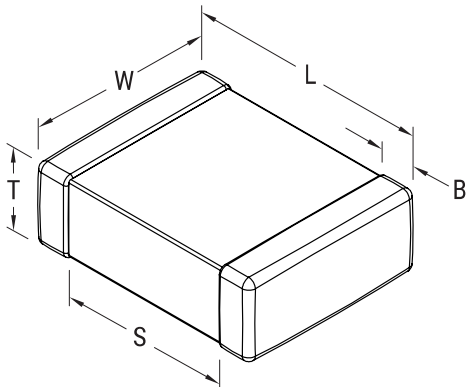


KEMET Part Number: C0805C102K5HACTU
(C0805C102K5HAC7800)

SMD Comm X8R HT150C, Ceramic, 1000 pF, 10%, 50 VDC, X8R, SMD, MLCC, High Temperature, Ultra-Stable, 0805



Dimensions

Dimension	Value
L	2mm +/-0.2mm
W	1.25mm +/-0.2mm
T	0.78mm +/-0.10mm
S	0.75mm MIN
B	0.5mm +/-0.25mm

Packaging Specifications

Packaging:	T&R, 180mm, Paper Tape
Packaging Quantity:	4000

General Information

Supplier:	KEMET
Series:	SMD Comm X8R HT150C
Style:	SMD Chip
Description:	SMD, MLCC, High Temperature, Ultra-Stable
Features:	High Temperature, Ultra-Stable
RoHS:	Yes
Termination:	Tin
Marking:	No
Miscellaneous:	Note: Referee time for X8R dielectric for this part number is 1000 hours
Chip Size:	0805

Specifications

Capacitance:	1000 pF
Capacitance Tolerance:	10%
Voltage DC:	50 VDC
Dielectric Withstanding Voltage:	125 V
Temperature Range:	-55/+150C
Temperature Coefficient:	X8R
Dissipation Factor:	2.50% 1MHz 25C
Aging Rate:	0% Loss/Decade Hour
Insulation Resistance:	100 GOhms