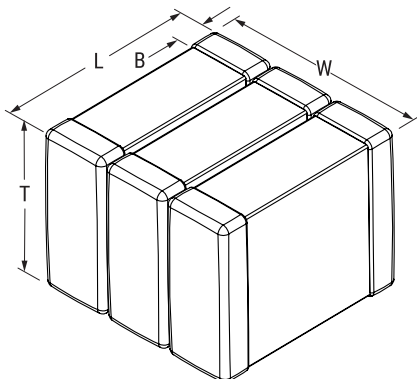


KONNEKT Comm U2J, Ceramic, Commercial Grade, 1.4 uF, 5%, 50 VDC, U2J



**Dimensions**

<b>L</b>	4.5mm +/-0.3mm
<b>W</b>	5.3mm +/-0.6mm
<b>T</b>	3.2mm +/-0.3mm
<b>B</b>	0.6mm +/-0.35mm

**Packaging Specifications**

<b>Packaging:</b>	T&R, 180mm, Plastic Tape
<b>Packaging Quantity:</b>	500

**General Information**

<b>Supplier:</b>	KEMET
<b>Series:</b>	KONNEKT Comm U2J
<b>Style:</b>	KONNEKT
<b>Description:</b>	SMD, MLCC, KONNEKT, Ultra-Stable, Class I
<b>Features:</b>	High Density Packaging
<b>RoHS:</b>	Yes
<b>Termination:</b>	Tin
<b>Chip Size:</b>	1812-3
<b>Shelf Life:</b>	78 Weeks
<b>MSL:</b>	1

**Specifications**

<b>Capacitance:</b>	1.4 uF
<b>Capacitance Tolerance:</b>	5%
<b>Voltage DC:</b>	50 VDC
<b>Dielectric Withstanding Voltage:</b>	125 V
<b>Temperature Range:</b>	-55/+125C
<b>Temperature Coefficient:</b>	U2J
<b>Dissipation Factor:</b>	0.10% 1kHz 25C
<b>Aging Rate:</b>	0.1% Loss/Decade Hour
<b>Insulation Resistance:</b>	714.29 MOhms