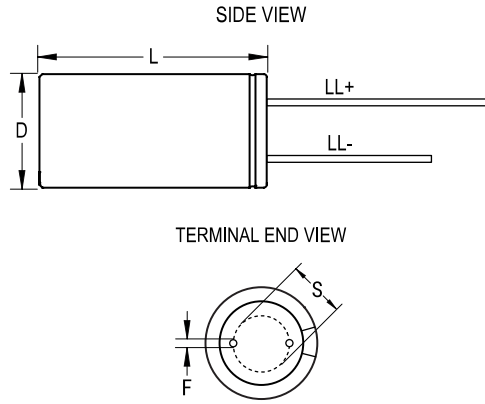


ESH, Aluminum Electrolytic, 105C, 1,500 uF, 20%, 10 VDC, -40/+105C, Lead Spacing = 5mm



General Information	
Supplier:	KEMET
Series:	ESH
Dielectric:	Aluminum Electrolytic
Description:	High CV Single Ended Aluminum Electrolytic
Features:	High CV
RoHS:	Yes
Lead:	Wire Leads

Dimensions	
D	10mm +/-0.5mm
L	20mm +2mm
S	5mm +/-0.5mm
LL Negative	15mm MIN
LL Positive	20mm MIN
F	0.6mm NOM

Specifications	
Capacitance:	1,500 uF
Capacitance Tolerance:	20%
Voltage DC:	10 VDC, 13 VDC (Surge)
Temperature Range:	-40/+105C
Rated Temperature:	105C
Life:	2000 Hrs
Dissipation Factor:	22.00% 120Hz 25C
Ripple Current:	800 mAmps (120Hz 105C)
Leakage Current:	150 uA (2min 20C)
Impedance Ratio at -25C:	3
Impedance Ratio at -40C:	6

Packaging Specifications	
Packaging:	Bulk, Bag
Packaging Quantity:	2400