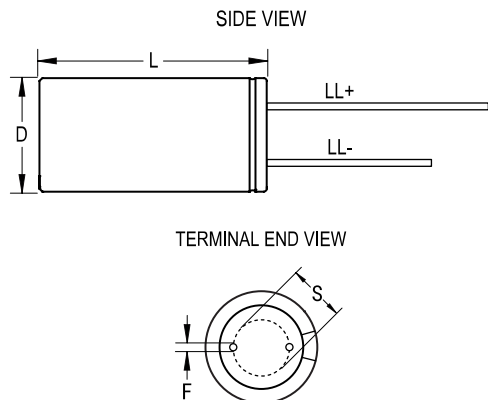


ESH, Aluminum Electrolytic, 105C, 2,200 uF, 20%, 25 VDC, -40/+105C, Lead Spacing = 7.5mm



General Information	
Supplier:	KEMET
Series:	ESH
Dielectric:	Aluminum Electrolytic
Description:	High CV Single Ended Aluminum Electrolytic
Features:	High CV
RoHS:	Yes
Lead:	Wire Leads

Dimensions	
D	16mm +/-0.5mm
L	25mm +2mm
S	7.5mm +/-0.5mm
LL Negative	15mm MIN
LL Positive	20mm MIN
F	0.8mm NOM

Specifications	
Capacitance:	2,200 uF
Capacitance Tolerance:	20%
Voltage DC:	25 VDC, 32 VDC (Surge)
Temperature Range:	-40/+105C
Rated Temperature:	105C
Life:	2000 Hrs
Dissipation Factor:	16.00%
Ripple Current:	1230 mAmps (120Hz 105C)
Leakage Current:	550 uA (2min 20C)
Impedance Ratio at -25C:	2
Impedance Ratio at -40C:	3

Packaging Specifications	
Packaging:	Bulk, Bag
Packaging Quantity:	1000