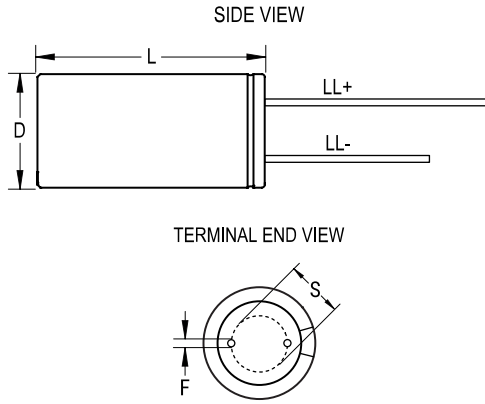


ESH, Aluminum Electrolytic, 105C, 10 uF, 20%, 50 VDC, -40/+105C, Lead Spacing = 2mm



Dimensions

D	5mm +/-0.5mm
L	11mm +1.5mm
S	2mm +/-0.5mm
LL Negative	15mm MIN
LL Positive	20mm MIN
F	0.5mm NOM

Packaging Specifications

Packaging:	Bulk, Bag
Packaging Quantity:	10000

General Information

Supplier:	KEMET
Series:	ESH
Dielectric:	Aluminum Electrolytic
Description:	High CV Single Ended Aluminum Electrolytic
Features:	High CV
RoHS:	Yes
Lead:	Wire Leads

Specifications

Capacitance:	10 uF
Capacitance Tolerance:	20%
Voltage DC:	50 VDC, 63 VDC (Surge)
Temperature Range:	-40/+105C
Rated Temperature:	105C
Life:	2000 Hrs
Dissipation Factor:	12.00% 120Hz 25C
Ripple Current:	50 mAmps (120Hz 105C)
Leakage Current:	5 uA (2min 20C)
Impedance Ratio at -25C:	2
Impedance Ratio at -40C:	3