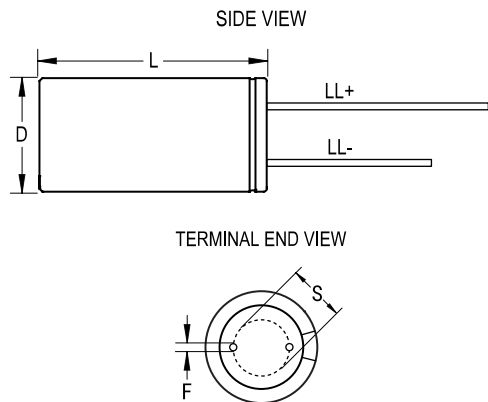


ESH, Aluminum Electrolytic, 105C, 22 uF, 20%, 250 VDC, -25/+105C, Lead Spacing = 5mm



Dimensions

| | |
|--------------------|---------------|
| D | 13mm +/-0.5mm |
| L | 20mm +2mm |
| S | 5mm +/-0.5mm |
| LL Negative | 15mm MIN |
| LL Positive | 20mm MIN |
| F | 0.6mm NOM |

Packaging Specifications

| | |
|----------------------------|-----------|
| Packaging: | Bulk, Bag |
| Packaging Quantity: | 2000 |

General Information

| | |
|---------------------|--|
| Supplier: | KEMET |
| Series: | ESH |
| Dielectric: | Aluminum Electrolytic |
| Description: | High CV Single Ended Aluminum Electrolytic |
| Features: | High CV |
| RoHS: | Yes |
| Lead: | Wire Leads |

Specifications

| | |
|---------------------------------|--------------------------|
| Capacitance: | 22 uF |
| Capacitance Tolerance: | 20% |
| Voltage DC: | 250 VDC, 300 VDC (Surge) |
| Temperature Range: | -25/+105C |
| Rated Temperature: | 105C |
| Life: | 2000 Hrs |
| Dissipation Factor: | 15.00% |
| Ripple Current: | 155 mAmps (120Hz 105C) |
| Leakage Current: | 175 uA (2min 20C) |
| Impedance Ratio at -25C: | 4 |