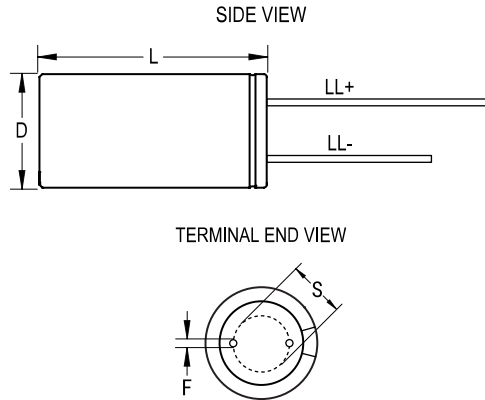


ESH, Aluminum Electrolytic, 105C, 68 uF, 20%, 250 VDC, -25/+105C, Lead Spacing = 7.5mm



Dimensions

D	16mm +/-0.5mm
L	32mm +2mm
S	7.5mm +/-0.5mm
LL Negative	15mm MIN
LL Positive	20mm MIN
F	0.8mm NOM

Packaging Specifications

Packaging:	Bulk, Bag
Packaging Quantity:	800

General Information

Supplier:	KEMET
Series:	ESH
Dielectric:	Aluminum Electrolytic
Description:	High CV Single Ended Aluminum Electrolytic
Features:	High CV
RoHS:	Yes
Lead:	Wire Leads

Specifications

Capacitance:	68 uF
Capacitance Tolerance:	20%
Voltage DC:	250 VDC, 300 VDC (Surge)
Temperature Range:	-25/+105C
Rated Temperature:	105C
Life:	2000 Hrs
Dissipation Factor:	15.00%
Ripple Current:	300 mAmps (120Hz 105C)
Leakage Current:	520 uA (2min 20C)
Impedance Ratio at -25C:	4