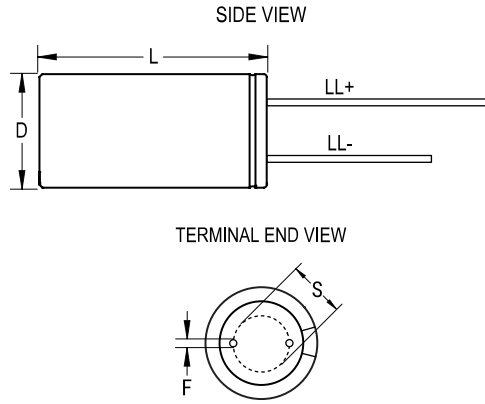


ESK, Aluminum Electrolytic, 85C, 2,200 uF, 20%, 25 VDC, -40/+85C, Lead Spacing = 5mm



| Dimensions | |
|-------------|----------------|
| D | 13mm +/-0.5mm |
| L | 25mm +2.0/-0mm |
| S | 5mm +/-0.5mm |
| LL Negative | 15mm MIN |
| LL Positive | 20mm MIN |
| F | 0.6mm NOM |

| Packaging Specifications | |
|--------------------------|-----------|
| Packaging: | Bulk, Bag |
| Packaging Quantity: | 1600 |

| General Information | |
|---------------------|-------------------------------------|
| Supplier: | KEMET |
| Series: | ESK |
| Dielectric: | Aluminum Electrolytic |
| Description: | Single Ended, Aluminum Electrolytic |
| RoHS: | Yes |
| Lead: | Wire Leads |

| Specifications | |
|--------------------------|------------------------|
| Capacitance: | 2,200 uF |
| Capacitance Tolerance: | 20% |
| Voltage DC: | 25 VDC, 32 VDC (Surge) |
| Temperature Range: | -40/+85C |
| Rated Temperature: | 85C |
| Life: | 2000 Hrs |
| Dissipation Factor: | 14.00% 120Hz 20C |
| Ripple Current: | 1300 mAmps (120Hz 85C) |
| Leakage Current: | 550 uA (2min 20C) |
| Impedance Ratio at -25C: | 3 |
| Impedance Ratio at -40C: | 4 |