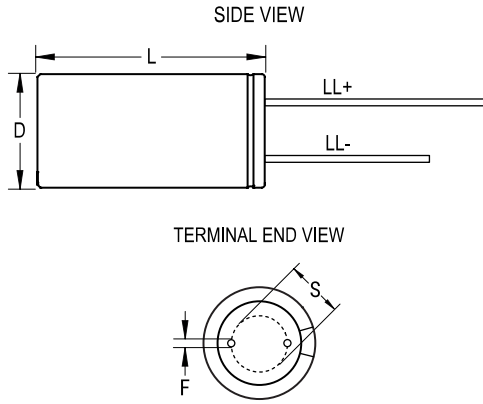


EST, Aluminum Electrolytic, 105C LowZ, 180 uF, 20%, 63 VDC, -40/+105C, Lead Spacing = 5mm



General Information	
Supplier:	KEMET
Series:	EST
Dielectric:	Aluminum Electrolytic
Description:	LowZ, Long Life, Single Ended Aluminum Electrolytic
Features:	Low Z, Long Life, Low Impedance
RoHS:	Yes
Lead:	Wire Leads

Dimensions	
D	10mm +/-0.5mm
L	20mm +2mm
S	5mm +/-0.5mm
LL Negative	15mm MIN
LL Positive	20mm MIN
F	0.6mm NOM

Packaging Specifications	
Packaging:	Bulk, Bag
Packaging Quantity:	2400

Specifications	
Capacitance:	180 uF
Capacitance Tolerance:	20%
Voltage DC:	63 VDC, 79 VDC (Surge)
Temperature Range:	-40/+105C
Rated Temperature:	105C
Life:	7000 Hrs
Dissipation Factor:	14.00%
Resistance:	0.21 Ohms (100kHz 20C)
Ripple Current:	466 mAmps (100kHz 105C)
Leakage Current:	113.4 uA (2min 20C)
Impedance Ratio at -25C:	2
Impedance Ratio at -40C:	3

Statements of suitability for certain applications are based on our knowledge of typical operating conditions for such applications, but are not intended to constitute - and we specifically disclaim - any warranty concerning suitability for a specific customer application or use. This Information is intended for use only by customers who have the requisite experience and capability to determine the correct products for their application. Any technical advice inferred from this Information or otherwise provided by us with reference to the use of our products is given gratis, and we assume no obligation or liability for the advice given or results obtained.