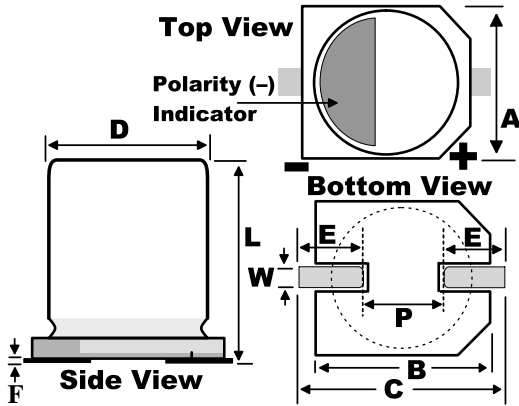


EDK, Aluminum Electrolytic, 85C, 1,000 uF, 20%, 6.3 VDC, -40/+85C



Dimensions

D	10mm +/-0.5mm
L	10.2mm +/-0.3mm
W	0.9mm +/-0.2mm
F	0.3mm MAX
A	10.3mm +/-0.2mm
B	10.3mm +/-0.2mm
C	13mm MAX
E	3.5mm +/-0.2mm
P	4.6mm +/-0.2mm

Packaging Specifications

Packaging:	T&R, 380mm
Packaging Quantity:	500

General Information

Supplier:	KEMET
Series:	EDK
Dielectric:	Aluminum Electrolytic
Style:	SMD Can
Description:	Surface Mount, Aluminum Electrolytic
RoHS:	Yes
Lead:	V-Chip

Specifications

Capacitance:	1,000 uF
Capacitance Tolerance:	20%
Voltage DC:	6.3 VDC, 8 VDC (Surge)
Temperature Range:	-40/+85C
Rated Temperature:	85C
Life:	2000 Hrs
Dissipation Factor:	35.00%
Ripple Current:	700 mAmps (120Hz), 952 mAmps (120Hz 50C)
Leakage Current:	63 uA (2min 20C)
Impedance Ratio at -25C:	4
Impedance Ratio at -40C:	8
High Temperature Solder:	Yes