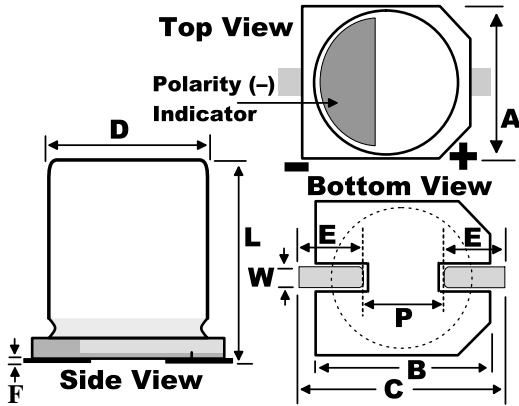


EXV, Aluminum Electrolytic, 105C LowZ, 10 uF, 20%, 25 VDC, -55/+105C



General Information	
Supplier:	KEMET
Series:	EXV
Dielectric:	Aluminum Electrolytic
Style:	SMD Can
Description:	Surface Mount, Aluminum Electrolytic
Features:	Ultra Low Impedance
RoHS:	Yes
Lead:	V-Chip

Dimensions	
D	4mm +/-0.5mm
L	5.4mm +0.25/-0.1mm
W	0.65mm +/-0.1mm
F	0.3mm MAX
A	4.3mm +/-0.2mm
B	4.3mm +/-0.2mm
C	5.5mm MAX
E	1.8mm +/-0.2mm
P	1mm +/-0.2mm

Specifications	
Capacitance:	10 uF
Capacitance Tolerance:	20%
Voltage DC:	25 VDC, 32 VDC (Surge)
Temperature Range:	-55/+105C
Rated Temperature:	105C
Life:	3000 Hrs
Dissipation Factor:	14.00%
Resistance:	1.93 Ohms (100kHz)
Ripple Current:	63 mAmps (120Hz), 126 mAmps (120Hz 85C), 90 mAmps (100kHz)
Leakage Current:	3 uA (2min 20C)
Impedance Ratio at -25C:	2
Impedance Ratio at -40C:	3
High Temperature Solder:	Yes

Packaging Specifications	
Packaging:	T&R, 380mm
Packaging Quantity:	2000