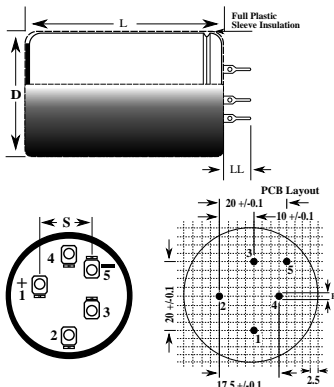


KEMET Part Number: ALP22A223DD040
(A622HJ223M040A)

ALP22, Aluminum Electrolytic, 85C, 22,000 uF, 20%, 40 VDC, -40/+85C



General Information	
Supplier:	KEMET
Series:	ALP22
Dielectric:	Aluminum Electrolytic
Description:	Solder Pin, Aluminum Electrolytic
Features:	Solder Pin
RoHS:	Yes
Lead:	5 Pin Solder
Notes:	Dimensions D And L Include Sleevling

Dimensions	
D	40mm +/-1mm
L	55mm +/-2mm
S	20mm +/-0.1mm
LL	7.5mm +/-0.5mm
F	1.3mm

Specifications	
Capacitance:	22,000 uF
Capacitance Tolerance:	20%
Voltage DC:	40 VDC, 46 VDC (Surge)
Temperature Range:	-40/+85C
Rated Temperature:	85C
Life:	26000 Hrs
Leakage Current:	5280 uA (5min 20C)

Packaging Specifications	
Weight:	95 g
Sleevling:	Yes
Packaging:	Bulk, Bag