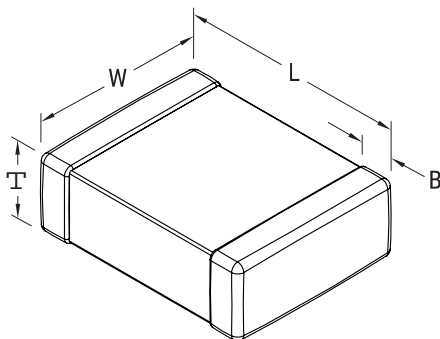


**KEMET Part Number: LDEME3100KA5N00**  
(DEME3100KA5N00)

LDE, Film, Metallized PEN Stacked, Automotive Grade, 0.1 uF, 10%, 160 VAC, 400 VDC, 125C, 2824, 5.4mm



General Information	
Supplier:	KEMET
Series:	LDE
Dielectric:	Metallized PEN Stacked
Style:	SMD Chip
Features:	Automotive Grade
RoHS:	Yes
Qualifications:	AEC-Q200
AEC-Q200:	Yes
Shelf Life:	104 Weeks
MSL:	2

Dimensions	
Chip Size	2824
L	7.3mm +/-0.4mm
W	6.1mm +/-0.4mm
T	5.4mm MAX
B	0.5mm +0.5/-0.3mm

Specifications	
Capacitance:	0.1 uF
Capacitance Tolerance:	10%
Voltage AC:	160 VAC
Voltage DC:	400 VDC
Temperature Range:	-55/+125C
Rated Temperature:	125C
Dissipation Factor:	0.80% 1kHz
Insulation Resistance:	1 GOhms
Max dV/dt:	100 V/us

Packaging Specifications	
Packaging:	T&R
Packaging Quantity:	1500