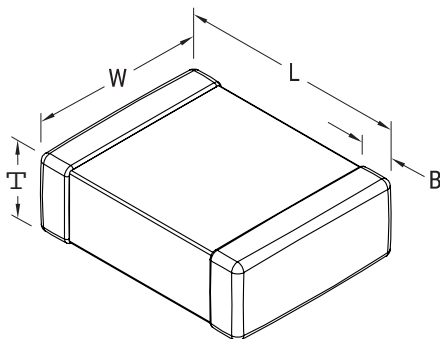


KEMET Part Number: LDEEF4220KA0N00
(DEEF4220KA0N00)

LDE, Film, Metallized PEN Stacked, Automotive Grade, 2.2 uF, 10%, 63 VAC, 100 VDC, 125C, 4030, 5.6mm



General Information

Supplier:	KEMET
Series:	LDE
Dielectric:	Metallized PEN Stacked
Style:	SMD Chip
Features:	Automotive Grade
RoHS:	Yes
Qualifications:	AEC-Q200
AEC-Q200:	Yes
Shelf Life:	104 Weeks
MSL:	3

Dimensions

Chip Size	4030
L	10.5mm +/-0.4mm
W	7.9mm +/-0.5mm
T	5.6mm MAX
B	0.5mm +0.5/-0.3mm

Packaging Specifications

Packaging:	T&R
Packaging Quantity:	1000

Specifications

Capacitance:	2.2 uF
Capacitance Tolerance:	10%
Voltage AC:	63 VAC
Voltage DC:	100 VDC
Temperature Range:	-55/+125C
Rated Temperature:	125C
Dissipation Factor:	0.80% 1kHz
Insulation Resistance:	181.8 MOhms
Max dV/dt:	100 V/us