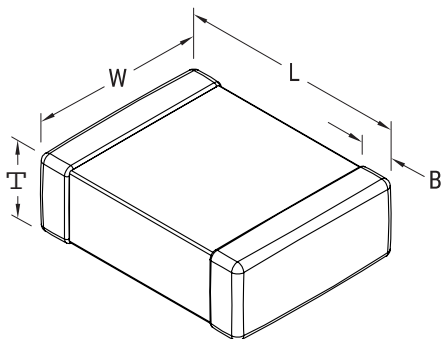


KEMET Part Number: LDEPD2100KA5N00
(DEPD2100KA5N00)

LDE, Film, Metallized PEN Stacked, Automotive Grade, 0.01 uF, 10%, 200 VAC, 630 VDC, 125C, 2220, 3mm



General Information

Supplier:	KEMET
Series:	LDE
Dielectric:	Metallized PEN Stacked
Style:	SMD Chip
Features:	Automotive Grade
RoHS:	Yes
Qualifications:	AEC-Q200
AEC-Q200:	Yes
Shelf Life:	104 Weeks
MSL:	2

Dimensions

Chip Size	2220
L	6mm +/-0.3mm
W	5mm +/-0.4mm
T	3mm MAX
B	0.5mm +/-0.5/-0.3mm

Specifications

Capacitance:	0.01 uF
Capacitance Tolerance:	10%
Voltage AC:	200 VAC
Voltage DC:	630 VDC
Temperature Range:	-55/+125C
Rated Temperature:	125C
Dissipation Factor:	0.80% 1kHz
Insulation Resistance:	1 GOhms
Max dV/dt:	100 V/us

Packaging Specifications

Packaging:	T&R
Packaging Quantity:	2250