

Features

- Low torque
- Carbon element
- Plain or knurled shaft option
- ESD wave washer
- Metal bushing
- Metal shaft
- Rear solder lugs
- RoHS compliant*

PDB241-GTR Series - 24 mm Guitar Potentiometer

Electrical Characteristics

TaperAudio
 Standard Resistance250K and 500K ohms
 Standard Resistance Tolerance±20 %

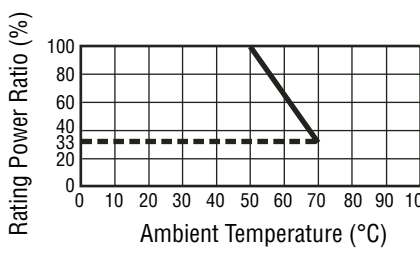
Environmental Characteristics

Operating Temperature-10 °C to +70 °C
 Power Rating0.25 watt
 Maximum Operating Voltage250 V
 Rotational Noise.....150 mV max.

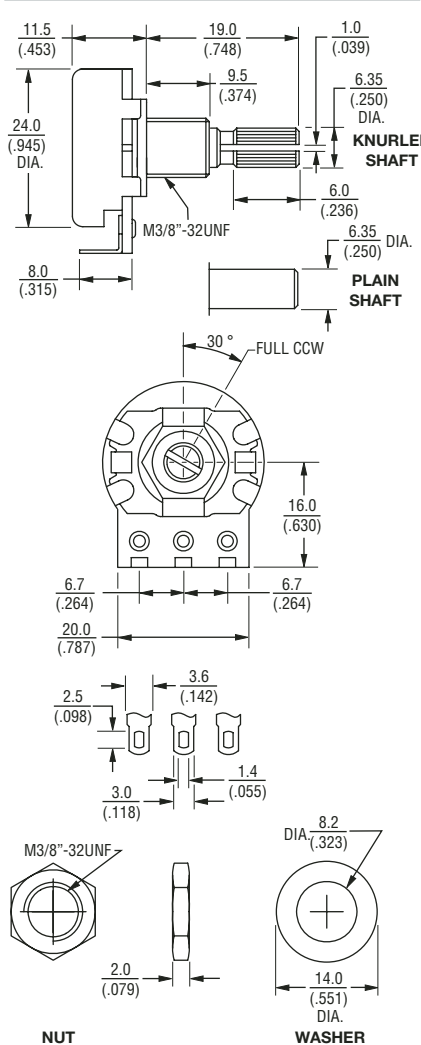
Mechanical Characteristics

Mechanical Angle300 ° ±5 °
 Rotational Torque29 g-cm typical
 Stop Strength.....8 kg-cm min.
 Rotational Life15,000 cycles min.
 Soldering Condition
 Manual Soldering300 °C within 3 seconds
 Wave Soldering260 °C within 3 seconds
 HardwareOne flat washer and mounting nut supplied per potentiometer with bushing

Derating Curve



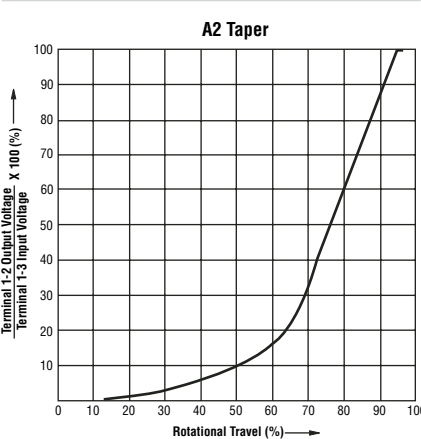
Product Dimensions



TOLERANCES:
 UNDER 10.0 = ±0.3 / (.394) = ±.012 10.0 ~ 100 = ±0.5 / (.394 ~ 3.937) = ±.020

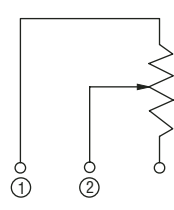
DIMENSIONS ARE: $\frac{\text{MM}}{\text{(INCHES)}}$

Taper Chart



Other tapers available.

Circuit



Sensors & Controls

Asia-Pacific:
 Tel: +886-2 2562-4117
 Fax: +886-2 2562-4116

Europe:
 Tel: +41-41 768 5555
 Fax: +41-41 768 5510

The Americas:
 Tel: +1-951 781-5500
 Fax: +1-951 781-5700
 www.bourns.com

Selection Guide

Part Number	Shaft Type	Taper	Resistance Value (Ω)
PDB241-GTR01-254A2	Knurled	Audio	250K
PDB241-GTR01-504A2	Knurled	Audio	500K
PDB241-GTR02-254A2	Plain	Audio	250K
PDB241-GTR02-504A2	Plain	Audio	500K

*RoHS Directive 2002/95/EC Jan 27 2003 including Annex. Specifications are subject to change without notice. Customers should verify actual device performance in their specific applications.