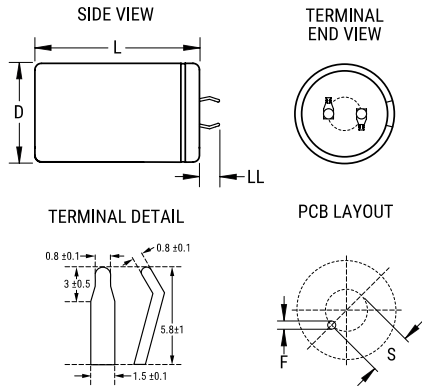


ELG, Aluminum Electrolytic, 105C, 10,000 uF, 20%, 25 VDC, -40/+105C



| General Information | |
|---------------------|--------------------------------|
| Supplier: | KEMET |
| Series: | ELG |
| Dielectric: | Aluminum Electrolytic |
| Description: | Snap-In, Aluminum Electrolytic |
| RoHS: | Yes |
| Lead: | 2 Pin |

| Dimensions | |
|------------|---------------|
| D | 25mm +/-1mm |
| L | 35mm +/-2mm |
| S | 10mm +/-0.5mm |
| LL | 5.8mm +/-1mm |
| F | 2mm +/-0.1mm |

| Specifications | |
|------------------------|------------------------|
| Capacitance: | 10,000 uF |
| Capacitance Tolerance: | 20% |
| Voltage DC: | 25 VDC, 32 VDC (Surge) |
| Temperature Range: | -40/+105C |
| Rated Temperature: | 105C |
| Life: | 2000 Hrs |
| Dissipation Factor: | 45.00% 120Hz 20c |
| Ripple Current: | 2400 mAmps (120Hz) |
| Leakage Current: | 3000 uA (5min 20C) |

| Packaging Specifications | |
|--------------------------|-----------|
| Packaging: | Bulk, Bag |