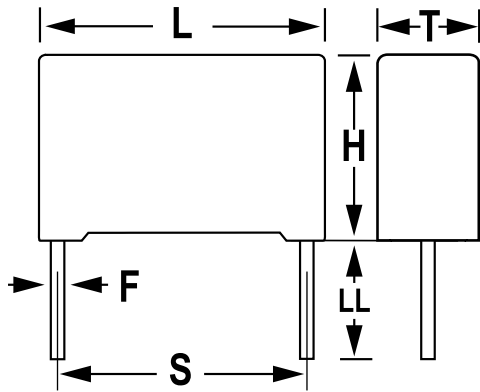


R60, Film, Metallized Polyester, General Purpose, 22 uF, 10%, 250 VDC, 85C, Lead Spacing = 37.5mm



Dimensions

L	41.5mm +0.3mm
H	28.5mm +0.1mm
T	16mm +0.3mm
S	37.5mm +/-0.4mm
LL	25mm +2/-1mm
F	1mm +/-0.05mm

Packaging Specifications

Packaging:	Tray
Packaging Quantity:	108

General Information

Supplier:	KEMET
Series:	R60
Dielectric:	Metallized Polyester
Style:	Radial
Features:	DC Multipurpose Applications
RoHS:	Yes
Lead:	Wire Leads
Miscellaneous:	Upper Operating Temperature Of 125C Is Allowed For A Maximum Operating Time Of 1,000 Hours. Above 85C, DC And AC Voltage Derating Is 1.25%/C.

Specifications

Capacitance:	22 uF
Capacitance Tolerance:	10%
Voltage AC:	160 VAC
Voltage DC:	250 VDC
Temperature Range:	-55/+105C
Rated Temperature:	85C
Dissipation Factor:	1.00% 1kHz
Insulation Resistance:	10 GOhms
Max dV/dt:	4 V/us
Inductance:	22 nH