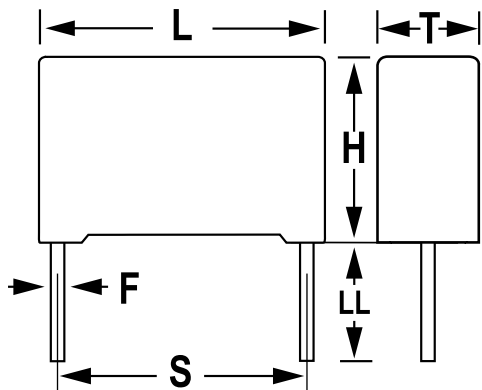


R71, Film, Metallized Polypropylene, General Purpose, 1 uF, 10%, 420 VDC, 105C, Lead Spacing = 15mm



General Information	
Supplier:	KEMET
Series:	R71
Dielectric:	Metallized Polypropylene
Style:	Radial
Features:	PFC and Pulse
RoHS:	Yes
Lead:	Wire Leads
Miscellaneous:	Above 105C DC And AC Voltage Derating Is 4%/C

Dimensions	
L	18mm +0.5mm
H	16mm +0.1mm
T	10mm +0.2mm
S	15mm +/-0.4mm
LL	30mm +5mm
F	0.8mm +/-0.05mm

Specifications	
Capacitance:	1 uF
Capacitance Tolerance:	10%
Voltage AC:	220 VAC
Voltage DC:	420 VDC
Temperature Range:	-40/+110C
Rated Temperature:	105C
Dissipation Factor:	0.10% 25C
Insulation Resistance:	30 GOhms
Max dV/dt:	160 V/us
Inductance:	10 nH

Packaging Specifications	
Packaging:	Bulk, Bag
Packaging Quantity:	500