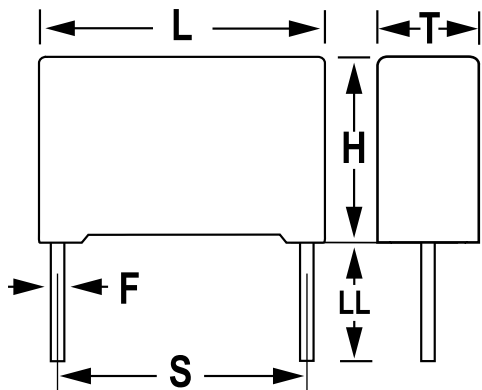


R71, Film, Metallized Polypropylene, General Purpose, 0.068 uF, 10%, 630 VDC, 105C, Lead Spacing = 10mm



General Information	
Supplier:	KEMET
Series:	R71
Dielectric:	Metallized Polypropylene
Style:	Radial
Features:	PFC and Pulse
RoHS:	Yes
Lead:	Wire Leads
Miscellaneous:	Above 105C DC And AC Voltage Derating Is 4%/C

Dimensions	
L	13mm +0.2mm
H	12mm +0.1mm
T	6mm +0.2mm
S	10mm +/-0.4mm
LL	30mm +5mm
F	0.6mm +/-0.05mm

Specifications	
Capacitance:	0.068 uF
Capacitance Tolerance:	10%
Voltage AC:	275 VAC
Voltage DC:	630 VDC
Temperature Range:	-40/+110C
Rated Temperature:	105C
Dissipation Factor:	0.10% 25C
Insulation Resistance:	100 GOhms
Max dV/dt:	400 V/us
Inductance:	9 nH

Packaging Specifications	
Packaging:	Bulk, Bag
Packaging Quantity:	1200