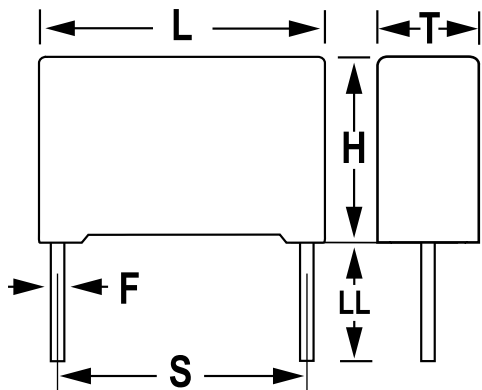


R71, Film, Metallized Polypropylene, General Purpose, 2.2 uF, 10%, 520 VDC, 105C, Lead Spacing = 22.5mm



General Information	
Supplier:	KEMET
Series:	R71
Dielectric:	Metallized Polypropylene
Style:	Radial
Features:	PFC and Pulse
RoHS:	Yes
Lead:	Wire Leads
Miscellaneous:	Above 105C DC And AC Voltage Derating Is 4%/C

Dimensions	
L	26.5mm +0.3mm
H	22mm +0.1mm
T	13mm +0.2mm
S	22.5mm +/-0.4mm
LL	30mm +5mm
F	0.8mm +/-0.05mm

Specifications	
Capacitance:	2.2 uF
Capacitance Tolerance:	10%
Voltage AC:	250 VAC
Voltage DC:	520 VDC
Temperature Range:	-40/+110C
Rated Temperature:	105C
Dissipation Factor:	0.10% 25C
Insulation Resistance:	13.6364 GOhms
Max dV/dt:	120 V/us
Inductance:	18 nH

Packaging Specifications	
Packaging:	Bulk, Bag
Packaging Quantity:	200