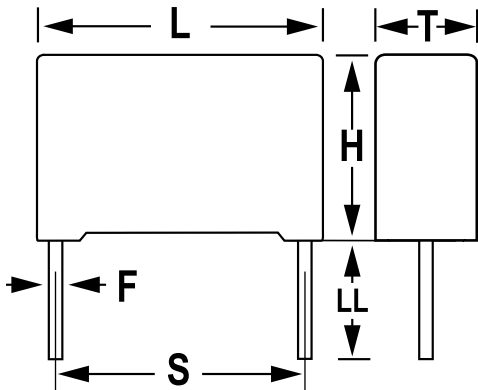


R73, Film, Film/Foil Polypropylene, Automotive Grade, 0.047 uF, 5%, 630 VDC, 85C, Lead Spacing = 15mm



**Dimensions**

L	18mm +0.5mm
H	16mm +0.1mm
T	10mm +0.2mm
S	15mm +/-0.4mm
LL	30mm +5mm
F	0.8mm +/-0.05mm

**Packaging Specifications**

<b>Packaging:</b>	Bulk, Bag
<b>Packaging Quantity:</b>	500

**General Information**

<b>Supplier:</b>	KEMET
<b>Series:</b>	R73
<b>Dielectric:</b>	Film/Foil Polypropylene
<b>Style:</b>	Radial
<b>Features:</b>	Automotive Grade, Pulse
<b>RoHS:</b>	Yes
<b>Lead:</b>	Wire Leads
<b>Qualifications:</b>	AEC-Q200
<b>AEC-Q200:</b>	Yes
<b>Miscellaneous:</b>	Above 85C DC And AC Voltage Derating Is 1.25%/C

**Specifications**

<b>Capacitance:</b>	0.047 uF
<b>Capacitance Tolerance:</b>	5%
<b>Voltage AC:</b>	300 VAC
<b>Voltage DC:</b>	630 VDC
<b>Temperature Range:</b>	-55/+105C
<b>Rated Temperature:</b>	85C
<b>Dissipation Factor:</b>	0.03% 1kHz, 0.04% 10kHz, 0.10% 100kHz
<b>Insulation Resistance:</b>	100 GOhms
<b>Max dV/dt:</b>	11000 V/us
<b>Inductance:</b>	10 nH