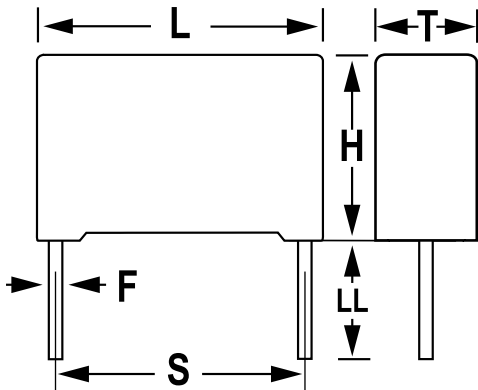


R73, Film, Film/Foil Polypropylene, Automotive Grade, 0.1 uF, 5%, 630 VDC, 85C, Lead Spacing = 22.5mm



General Information	
Supplier:	KEMET
Series:	R73
Dielectric:	Film/Foil Polypropylene
Style:	Radial
Features:	Automotive Grade, Pulse
RoHS:	Yes
Lead:	Wire Leads
Qualifications:	AEC-Q200
AEC-Q200:	Yes
Miscellaneous:	Above 85C DC And AC Voltage Derating Is 1.25%/C

Dimensions	
L	26.5mm +0.3mm
H	18.5mm +0.1mm
T	10mm +0.2mm
S	22.5mm +/-0.4mm
LL	30mm +5mm
F	0.8mm +/-0.05mm

Specifications	
Capacitance:	0.1 uF
Capacitance Tolerance:	5%
Voltage AC:	300 VAC
Voltage DC:	630 VDC
Temperature Range:	-55/+105C
Rated Temperature:	85C
Dissipation Factor:	0.03% 1kHz, 0.04% 10kHz, 0.10% 100kHz
Insulation Resistance:	100 GOhms
Max dV/dt:	11000 V/us
Inductance:	18 nH

Packaging Specifications	
Packaging:	Bulk, Bag
Packaging Quantity:	300

Statements of suitability for certain applications are based on our knowledge of typical operating conditions for such applications, but are not intended to constitute - and we specifically disclaim - any warranty concerning suitability for a specific customer application or use. This Information is intended for use only by customers who have the requisite experience and capability to determine the correct products for their application. Any technical advice inferred from this Information or otherwise provided by us with reference to the use of our products is given gratis, and we assume no obligation or liability for the advice given or results obtained.