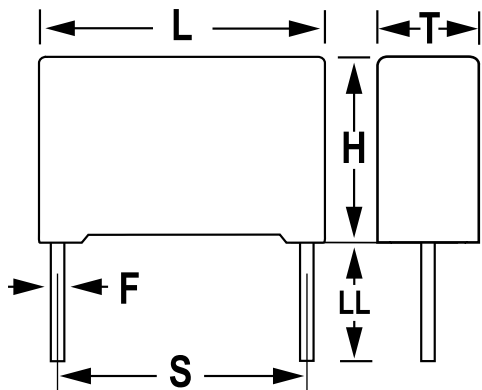


KEMET Part Number: PHE426HB6220JR06
(F426BD224J250C, PHE426HB6220JB04R06)

PHE426/F426, Film, Metallized Polypropylene, General Purpose, 0.22 uF, 5%, 250 VDC, 85C, Lead Spacing = 15mm



General Information	
Supplier:	KEMET
Series:	PHE426/F426
Dielectric:	Metallized Polypropylene
Style:	Radial
Features:	Pulse
RoHS:	Yes
Lead:	Wire Leads
Notes:	Not For New Design, Please Check Possible Alternative Parts (AltPart)

Dimensions	
L	18mm MAX
H	10.5mm MAX
T	5.5mm MAX
S	15mm +/-0.4mm
LL	6mm NOM
F	0.8mm NOM

Specifications	
Capacitance:	0.22 uF
Capacitance Tolerance:	5%
Voltage AC:	160 VAC
Voltage DC:	250 VDC, 185 VDC (105C)
Temperature Range:	-55/+105C
Rated Temperature:	85C
Dissipation Factor:	0.05% 1kHz, 0.10% 10kHz
Insulation Resistance:	100 GOhms
Max dV/dt:	120 V/us
Inductance:	6 nH

Packaging Specifications	
Packaging:	Bulk, Bag
Packaging Quantity:	1000