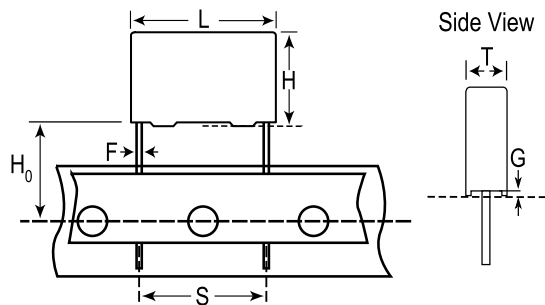


KEMET Part Number: PHE450RB5470JR17T1
(F450BV473J1K6P)

PHE450/F450, Film, Double Metallized Polypropylene, General Purpose, 0.047 uF, 5%, 1600 VDC, 85C, Lead Spacing = 15mm



General Information	
Supplier:	KEMET
Series:	PHE450/F450
Dielectric:	Double Metallized Polypropylene
Style:	Radial
Features:	Pulse
RoHS:	Yes
Lead:	Wire Leads
Miscellaneous:	The Rated Voltage Decreases 1.3%/C Between +85C And +105C. Rthja= 60 C/W (85C), 0.2 m/s

Dimensions	
L	18mm MAX
H	17.5mm MAX
T	9.5mm MAX
S	15mm +0.6/-0.1mm
H0	18.5mm +/-0.5mm
F	0.8mm +/-0.05mm
G	0.5mm NOM

Specifications	
Capacitance:	0.047 uF
Capacitance Tolerance:	5%
Voltage AC:	650 VAC
Voltage DC:	1600 VDC (85C), 1184 VDC (105C)
Temperature Range:	-55/+105C
Rated Temperature:	85C
Dissipation Factor:	0.03% 1kHz, 0.04% 10kHz, 0.15% 100kHz
Insulation Resistance:	638.298 GOhms
Max dV/dt:	2500 V/us
Inductance:	6 nH

Packaging Specifications	
Packaging:	T&R, Large
Packaging Quantity:	700