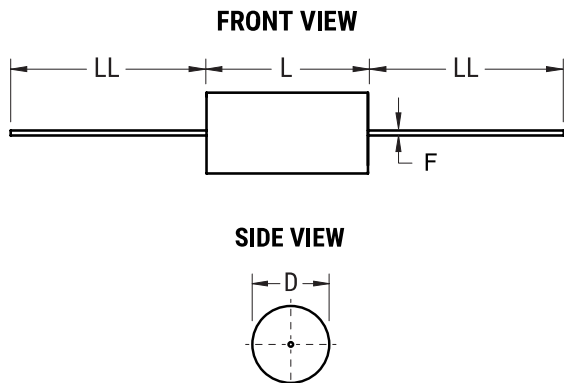


C4C, Film, Metallized Polypropylene, Power, 2.2 uF, 5%, 450 VAC, 850 VDC, 70C



| Dimensions |             |
|------------|-------------|
| D          | 29.5mm NOM  |
| L          | 58mm NOM    |
| LL         | 40mm +/-5mm |

| Packaging Specifications |           |
|--------------------------|-----------|
| Packaging:               | Bulk, Bag |
| Packaging Quantity:      | 30        |

| General Information |                                   |
|---------------------|-----------------------------------|
| Supplier:           | KEMET                             |
| Series:             | C4C                               |
| Dielectric:         | Metallized Polypropylene          |
| Style:              | Axial                             |
| RoHS:               | Yes                               |
| Lead:               | Wire Leads                        |
| Miscellaneous:      | Polyester Tape & Resin Protection |

| Specifications         |                                       |
|------------------------|---------------------------------------|
| Capacitance:           | 2.2 uF                                |
| Capacitance Tolerance: | 5%                                    |
| Voltage AC:            | 450 VAC                               |
| Voltage DC:            | 850 VDC                               |
| Temperature Range:     | -40/+85C                              |
| Rated Temperature:     | 70C                                   |
| Dissipation Factor:    | 0.05%                                 |
| Max dV/dt:             | 200 V/us                              |
| Resistance:            | 3.7 mOhms (100kHz)                    |
| Ripple Current:        | 12 Amps (100kHz 70C), 440 Amps (Peak) |