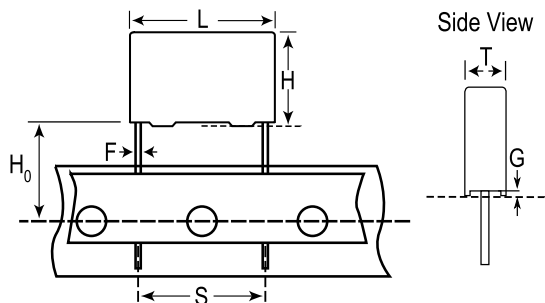


F461, Film, Metallized Polypropylene, General Purpose, 2.7 uF, 5%, 250 VDC, 85C, Lead Spacing = 22.5mm



General Information	
Supplier:	KEMET
Series:	F461
Dielectric:	Metallized Polypropylene
Style:	Radial
Features:	MKP, Pulse
RoHS:	Yes
Lead:	Wire Leads
Miscellaneous:	The Rated Voltage Decreases 2%/C Between +85C And +105C (1.25%/C For AC). ClimCat: 55/105/56

Dimensions	
L	26mm MAX
H	22mm MAX
T	13mm MAX
S	22.5mm +0.6/-0.1mm
H0	18.5mm +/-0.5mm
F	0.8mm +/-0.05mm
G	0.5mm NOM

Specifications	
Capacitance:	2.7 uF
Capacitance Tolerance:	5%
Voltage AC:	160 VAC
Voltage DC:	250 VDC, 150 VDC (105C)
Temperature Range:	-55/+105C
Rated Temperature:	85C
Dissipation Factor:	0.1% 1kHz
Insulation Resistance:	11.111 GOhms
Max dV/dt:	125 V/us
Inductance:	6 nH

Packaging Specifications	
Packaging:	Ammo, 360x340x59mm, Box
Packaging Quantity:	200