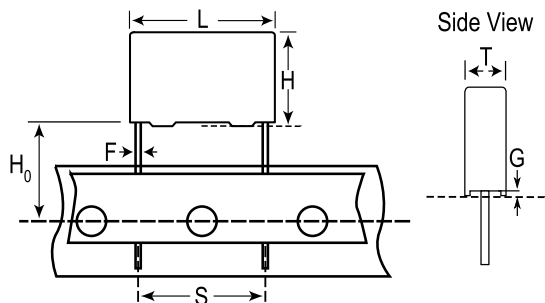


F462, Film, Metallized Polypropylene, General Purpose, 0.12 uF, 5%, 1000 VDC, 85C, Lead Spacing = 22.5mm



General Information	
Supplier:	KEMET
Series:	F462
Dielectric:	Metallized Polypropylene
Style:	Radial
Features:	MKP, Pulse
RoHS:	Yes
Lead:	Wire Leads
Miscellaneous:	The Rated Voltage Decreases 2%/C Between +85C And +105C (1.25%/C For AC). ClimCat: 55/105/56

Dimensions	
L	26mm MAX
H	16mm MAX
T	8mm MAX
S	22.5mm +0.6/-0.1mm
H ₀	18.5mm +/-0.5mm
F	0.8mm +/-0.05mm
G	0.5mm NOM

Specifications	
Capacitance:	0.12 uF
Capacitance Tolerance:	5%
Voltage AC:	300 VAC
Voltage DC:	1000 VDC, 600 VDC (105C)
Temperature Range:	-55/+105C
Rated Temperature:	85C
Dissipation Factor:	0.05% 1kHz, 0.06% 10kHz
Insulation Resistance:	100 GOhms
Max dV/dt:	600 V/us
Inductance:	6 nH

Packaging Specifications	
Packaging:	T&R
Packaging Quantity:	240

Statements of suitability for certain applications are based on our knowledge of typical operating conditions for such applications, but are not intended to constitute - and we specifically disclaim - any warranty concerning suitability for a specific customer application or use. This Information is intended for use only by customers who have the requisite experience and capability to determine the correct products for their application. Any technical advice inferred from this Information or otherwise provided by us with reference to the use of our products is given gratis, and we assume no obligation or liability for the advice given or results obtained.