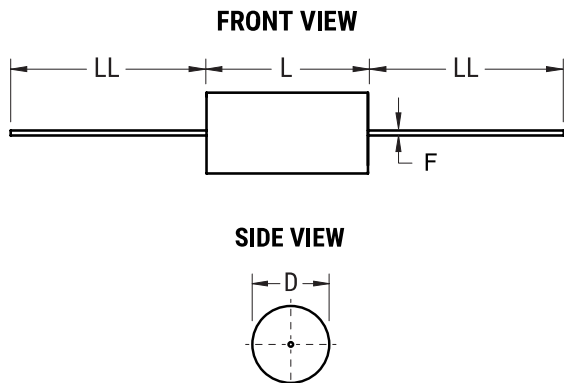


C4C, Film, Metallized Polypropylene, Power, 0.047 uF, 5%, 750 VAC, 3000 VDC, 70C



| Dimensions | |
|------------|-------------|
| D | 19mm NOM |
| L | 44mm NOM |
| LL | 40mm +/-5mm |

| Packaging Specifications | |
|--------------------------|-----------|
| Packaging: | Bulk, Bag |
| Packaging Quantity: | 100 |

| General Information | |
|---------------------|-----------------------------------|
| Supplier: | KEMET |
| Series: | C4C |
| Dielectric: | Metallized Polypropylene |
| Style: | Axial |
| RoHS: | Yes |
| Lead: | Wire Leads |
| Miscellaneous: | Polyester Tape & Resin Protection |

| Specifications | |
|------------------------|-------------------------------------|
| Capacitance: | 0.047 uF |
| Capacitance Tolerance: | 5% |
| Voltage AC: | 750 VAC |
| Voltage DC: | 3000 VDC |
| Temperature Range: | -40/+85C |
| Rated Temperature: | 70C |
| Dissipation Factor: | 0.05% |
| Max dV/dt: | 1250 V/us |
| Resistance: | 25.7 mOhms (100kHz) |
| Ripple Current: | 7 Amps (100kHz 70C), 59 Amps (Peak) |