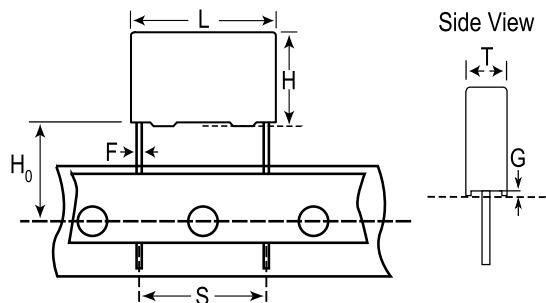


**KEMET Part Number: PHE450MA4330JR17T0**  
(F450AG332J630L)

PHE450/F450, Film, Double Metallized Polypropylene, General Purpose, 3300 pF, 5%, 630 VDC, 85C, Lead Spacing = 10mm



General Information	
Supplier:	KEMET
Series:	PHE450/F450
Dielectric:	Double Metallized Polypropylene
Style:	Radial
Features:	Pulse
RoHS:	Yes
Lead:	Wire Leads
Miscellaneous:	The Rated Voltage Decreases 1.3%/C Between +85C And +105C. Rthha= 142 C/W (85C), 0.2 m/s

Dimensions	
L	13mm MAX
H	9mm MAX
T	4mm MAX
S	10mm +0.6/-0.1mm
H0	18.5mm +/-0.5mm
F	0.6mm +/-0.05mm
G	0.5mm NOM

Specifications	
Capacitance:	3300 pF
Capacitance Tolerance:	5%
Voltage AC:	300 VAC
Voltage DC:	630 VDC (85C), 466.2 VDC (105C)
Temperature Range:	-55/+105C
Rated Temperature:	85C
Dissipation Factor:	0.03% 1kHz, 0.04% 10kHz, 0.15% 100kHz
Insulation Resistance:	9090.909 GOhms
Max dV/dt:	1400 V/us
Inductance:	6 nH

Packaging Specifications	
Packaging:	T&R
Packaging Quantity:	900