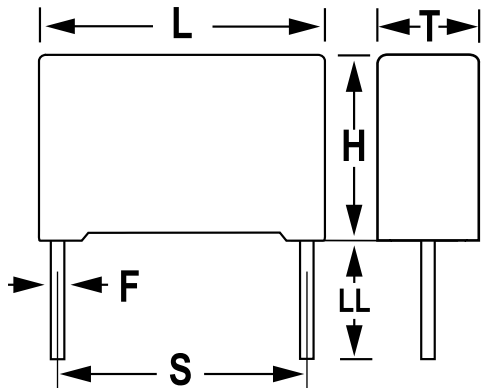


R75, Film, Metallized Polypropylene, General Purpose, 0.82 uF, 5%, 1250 VDC, 85C, Lead Spacing = 37.5mm



General Information	
Supplier:	KEMET
Series:	R75
Dielectric:	Metallized Polypropylene
Style:	Radial
Features:	Pulse
RoHS:	Yes
Lead:	Cut
Miscellaneous:	Above 85C DC And AC Voltage Derating Is 1.25%/C

Dimensions	
L	41.5mm +0.3mm
H	32mm +0.1mm
T	19mm +0.3mm
S	37.5mm +/-0.4mm
LL	4mm +1.5mm
F	1mm +/-0.05mm

Specifications	
Capacitance:	0.82 uF
Capacitance Tolerance:	5%
Voltage AC:	600 VAC
Voltage DC:	1250 VDC
Temperature Range:	-55/+105C
Rated Temperature:	85C
Dissipation Factor:	0.05% 1kHz, 0.08% 10kHz
Insulation Resistance:	36.5854 GOhms
Max dV/dt:	360 V/us
Inductance:	20 nH

Packaging Specifications	
Packaging:	Bulk, Bag
Packaging Quantity:	192