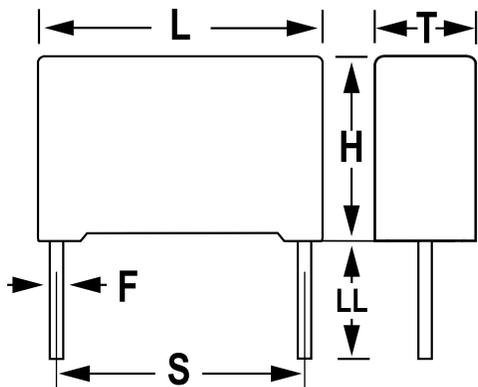


R75, Film, Metallized Polypropylene, General Purpose, 0.1 uF, 5%, 1600 VDC, 85C, Lead Spacing = 27.5mm



General Information	
Supplier:	KEMET
Series:	R75
Dielectric:	Metallized Polypropylene
Style:	Radial
Features:	Pulse
RoHS:	Yes
Lead:	Cut
Miscellaneous:	Above 85C DC And AC Voltage Derating Is 1.25%/C

Dimensions	
L	32mm +0.3mm
H	20mm +0.1mm
T	11mm +0.2mm
S	27.5mm +/-0.4mm
LL	4mm +1.5mm
F	0.8mm +/-0.05mm

Specifications	
Capacitance:	0.1 uF
Capacitance Tolerance:	5%
Voltage AC:	650 VAC
Voltage DC:	1600 VDC
Temperature Range:	-55/+105C
Rated Temperature:	85C
Dissipation Factor:	0.04% 1kHz, 0.06% 10kHz, 0.25% 100kHz
Insulation Resistance:	100 GOhms
Max dV/dt:	1500 V/us
Inductance:	18 nH

Packaging Specifications	
Packaging:	Bulk, Bag
Packaging Quantity:	560