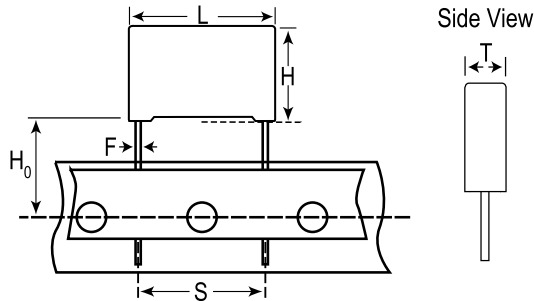


R76, Film, Double Metallized Polypropylene, Automotive Grade, 680 pF, 5%, 1000 VDC, 85C, Lead Spacing = 7.5mm



General Information	
Supplier:	KEMET
Series:	R76
Dielectric:	Double Metallized Polypropylene
Style:	Radial
Features:	Automotive Grade, Pulse
RoHS:	Yes
Lead:	Wire Leads
Qualifications:	AEC-Q200
AEC-Q200:	Yes

Dimensions	
L	10mm +0.2mm
H	9mm +0.1mm
T	4mm +0.1mm
S	7.5mm +0.6/-0.1mm
H0	18.5mm +/-0.5mm
F	0.6mm +/-0.05mm

Specifications	
Capacitance:	680 pF
Capacitance Tolerance:	5%
Voltage AC:	400 VAC
Voltage DC:	1000 VDC
Temperature Range:	-55/+105C
Rated Temperature:	85C
Dissipation Factor:	0.04% 1kHz, 0.06% 10kHz, 0.25% 100kHz
Insulation Resistance:	100 GOhms
Max dV/dt:	6000 V/us
Inductance:	8 nH

Packaging Specifications	
Packaging:	T&R, Large