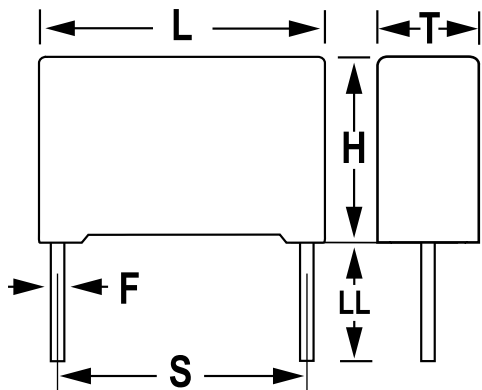


R74, Film, Metallized Polypropylene, Automotive Grade, 4700 pF, 5%, 2000 VDC, 85C, Lead Spacing = 15mm



General Information	
Supplier:	KEMET
Series:	R74
Dielectric:	Metallized Polypropylene
Style:	Radial
Features:	Automotive Grade, Pulse
RoHS:	Yes
Lead:	Cut
Qualifications:	AEC-Q200
AEC-Q200:	Yes
Miscellaneous:	Above 85C DC And AC Voltage Derating Is 1.25%/C

Dimensions	
L	18mm +0.3mm
H	12mm +0.1mm
T	6mm +0.2mm
S	15mm +/-0.4mm
LL	4mm +2mm
F	0.8mm +/-0.05mm

Specifications	
Capacitance:	4700 pF
Capacitance Tolerance:	5%
Voltage AC:	700 VAC
Voltage DC:	2000 VDC
Temperature Range:	-55/+105C
Rated Temperature:	85C
Dissipation Factor:	0.01% 1kHz, 0.02% 10kHz, 0.08% 100kHz
Insulation Resistance:	100 GOhms
Max dV/dt:	9500 V/us
Inductance:	10 nH

Packaging Specifications	
Packaging:	Bulk, Bag
Packaging Quantity:	1750