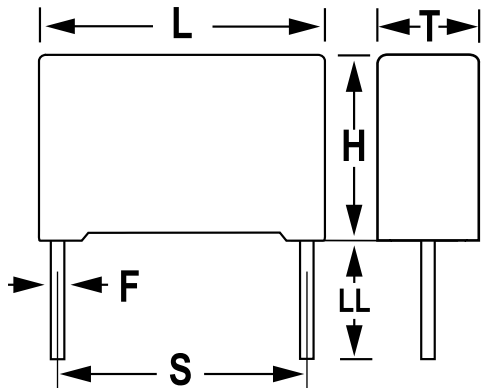


C4AQ, Film, Metallized Polypropylene, Automotive DC Link, 2 uF, 5%, 1500 VDC, 70C, Lead Spacing = 27.5mm



| General Information | |
|---------------------|--------------------------------------|
| Supplier: | KEMET |
| Series: | C4AQ |
| Dielectric: | Metallized Polypropylene |
| Style: | Radial |
| RoHS: | Yes |
| Lead: | Wire Leads |
| Qualifications: | AEC-Q200, IEC61071, EN61071, VDE0560 |
| AEC-Q200: | Yes |
| Miscellaneous: | Rth = 33 C/W |

| Dimensions | |
|------------|-----------------|
| L | 31.5mm +/-0.5mm |
| H | 28mm +/-0.2mm |
| T | 14mm +/-0.3mm |
| S | 27.5mm +/-0.4mm |
| LL | 6mm +0/-2mm |
| F | 0.8mm +/-0.05mm |

| Specifications | |
|------------------------|--|
| Capacitance: | 2 uF |
| Capacitance Tolerance: | 5% |
| Voltage DC: | 1500 VDC |
| Temperature Range: | -40/+105C |
| Rated Temperature: | 70C |
| Dissipation Factor: | 0.02% (10 kHz 25C) |
| Insulation Resistance: | 15 Ohms |
| Max dV/dt: | 32 V/us |
| Resistance: | 14.1 mOhms (10kHz 70C) |
| Ripple Current: | 5.5 Amps Irms (10kHz 70C), 65 Amps Ipk |
| Inductance: | 26 nH |

| Packaging Specifications | |
|--------------------------|-----------|
| Packaging: | Bulk, Box |
| Packaging Quantity: | 96 |