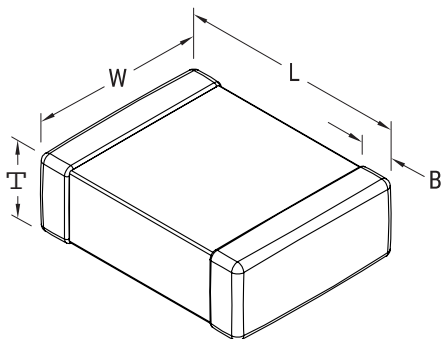


**KEMET Part Number: LDECC3150MA5N00**  
(DECC3150MA5N00)

LDE, Film, Metallized PEN Stacked, Automotive Grade, 0.15 uF, 20%, 40 VAC, 50 VDC, 125C, 1812, 1.9mm



General Information	
Supplier:	KEMET
Series:	LDE
Dielectric:	Metallized PEN Stacked
Style:	SMD Chip
Features:	Automotive Grade
RoHS:	Yes
Qualifications:	AEC-Q200
AEC-Q200:	Yes
Shelf Life:	104 Weeks
MSL:	3

Dimensions	
Chip Size	1812
L	4.7mm +0.3/-0.2mm
W	3.3mm +/-0.3mm
T	1.9mm MAX
B	0.5mm +0.5/-0.3mm

Specifications	
Capacitance:	0.15 uF
Capacitance Tolerance:	20%
Voltage AC:	40 VAC
Voltage DC:	50 VDC
Temperature Range:	-55/+125C
Rated Temperature:	125C
Dissipation Factor:	0.80% 1kHz
Insulation Resistance:	1 GOhms
Max dV/dt:	100 V/us

Packaging Specifications	
Packaging:	T&R
Packaging Quantity:	4000

Statements of suitability for certain applications are based on our knowledge of typical operating conditions for such applications, but are not intended to constitute - and we specifically disclaim - any warranty concerning suitability for a specific customer application or use. This Information is intended for use only by customers who have the requisite experience and capability to determine the correct products for their application. Any technical advice inferred from this Information or otherwise provided by us with reference to the use of our products is given gratis, and we assume no obligation or liability for the advice given or results obtained.