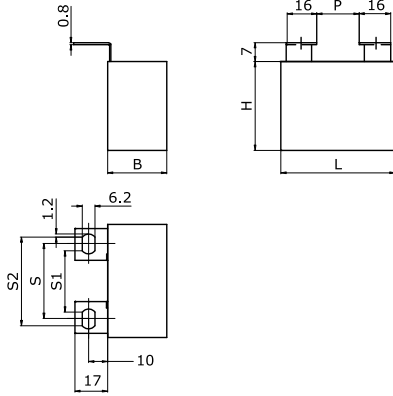


C4BS, Film, Metallized Polypropylene, Power, 0.33 uF, 5%, 750 VAC, 3000 VDC, 70C, Lead Spacing = 22mm



General Information	
Supplier:	KEMET
Series:	C4BS
Dielectric:	Metallized Polypropylene
Style:	Radial
Features:	IGBT Circuit
RoHS:	Yes
Lead:	Flat Tabs
Miscellaneous:	Kemet Style B Tabs

Dimensions	
L	42mm NOM
H	45mm NOM
T	30mm NOM
S	22mm NOM
S1	16mm NOM
P	6mm NOM

Packaging Specifications	
Packaging:	Bulk, Bag
Packaging Quantity:	32

Specifications	
Capacitance:	0.33 uF
Capacitance Tolerance:	5%
Voltage AC:	750 VAC
Voltage DC:	3000 VDC
Temperature Range:	-40/+85C
Rated Temperature:	70C
Max dV/dt:	2068 V/us
Resistance:	5.4 mOhms (100kHz)
Ripple Current:	24 Amps (100kHz 70C), 683 Amps (Peak)
Inductance:	43 nH