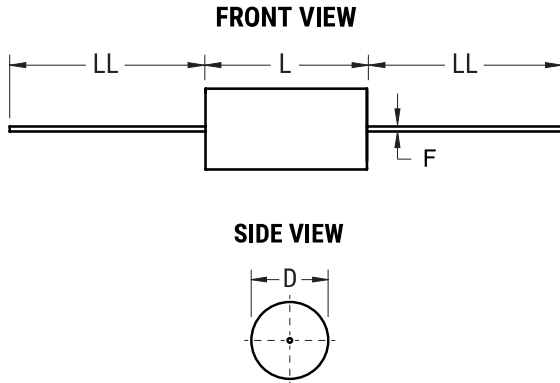


C4G, Film, Metallized Polypropylene, Power, 5 uF, 5%, 250 VAC, 400 VDC, 70C



General Information	
Supplier:	KEMET
Series:	C4G
Dielectric:	Metallized Polypropylene
Style:	Axial
Features:	Switching
RoHS:	Yes
Lead:	Wire Leads
Miscellaneous:	Polyester Tape & Resin Protection

Dimensions	
D	21.5mm MAX
L	44mm MAX
LL	40mm +/-5mm

Packaging Specifications	
Packaging:	Bulk, Bag
Packaging Quantity:	100

Specifications	
Capacitance:	5 uF
Capacitance Tolerance:	5%
Voltage AC:	250 VAC
Voltage DC:	400 VDC
Temperature Range:	-40/+85C
Rated Temperature:	70C
Dissipation Factor:	0.05%
Max dV/dt:	30 V/us
Resistance:	4 mOhms (100kHz)
Ripple Current:	9 Amps (100kHz 70C), 150 Amps (Peak)