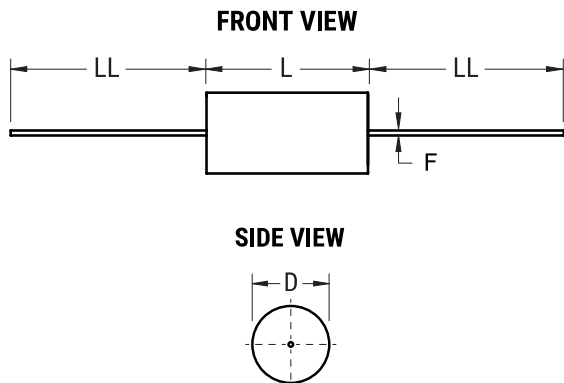


C4G, Film, Metallized Polypropylene, Power, 10 uF, 5%, 330 VAC, 600 VDC, 70C



General Information	
Supplier:	KEMET
Series:	C4G
Dielectric:	Metallized Polypropylene
Style:	Axial
Features:	Switching
RoHS:	Yes
Lead:	Wire Leads
Miscellaneous:	Polyester Tape & Resin Protection

Dimensions	
D	34.5mm MAX
L	58mm MAX
LL	40mm +/-5mm

Packaging Specifications	
Packaging:	Bulk, Bag
Packaging Quantity:	30

Specifications	
Capacitance:	10 uF
Capacitance Tolerance:	5%
Voltage AC:	330 VAC
Voltage DC:	600 VDC
Temperature Range:	-40/+85C
Rated Temperature:	70C
Dissipation Factor:	0.05%
Max dV/dt:	30 V/us
Resistance:	5.3 mOhms (100kHz)
Ripple Current:	12 Amps (100kHz 70C), 300 Amps (Peak)