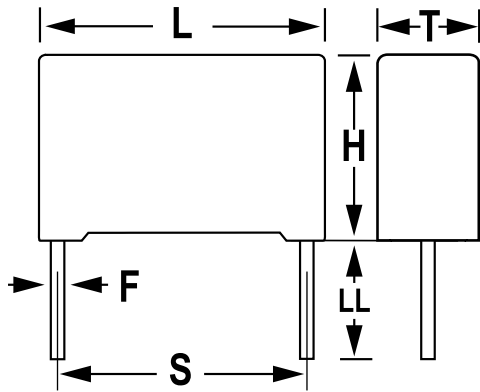


C4AF, Film, Metallized Polypropylene, Power, 1.5 uF, 10%, 400 VAC, 800 VDC, 85C, Lead Spacing = 27.5mm



Dimensions

L	31.5mm +0.5mm
H	29mm +0.2mm
T	19mm +0.3mm
S	27.5mm +/-0.4mm
LL	6mm +0/-2mm
F	0.8mm +/-0.05mm

Packaging Specifications

Packaging:	Bulk, Box
Packaging Quantity:	72

General Information

Supplier:	KEMET
Series:	C4AF
Dielectric:	Metallized Polypropylene
Style:	Radial
Features:	Harsh Environmental Conditions
RoHS:	Yes
Lead:	Wire Leads
Qualifications:	AEC-Q200, IEC61071, EN61071, VDE0560
AEC-Q200:	Yes
Miscellaneous:	Rth = 29 C/W

Specifications

Capacitance:	1.5 uF
Capacitance Tolerance:	10%
Voltage AC:	400 VAC
Voltage DC:	800 VDC
Temperature Range:	-55/+105C
Rated Temperature:	85C
Dissipation Factor:	0.07% MAX
Max dV/dt:	141 V/us
Resistance:	7.6 mOhms
Ripple Current:	8.1 Amps Irms (MAX), 212 Amps Ipk
Inductance:	26 nH (ESL)