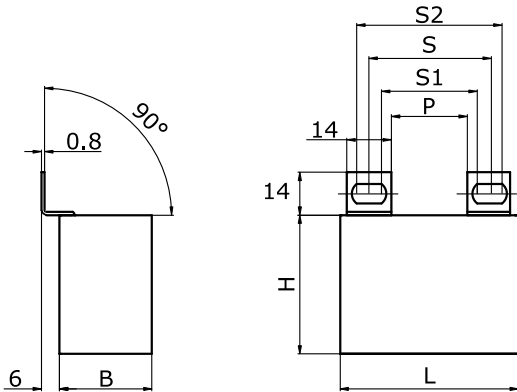


C4BS, Film, Metallized Polypropylene, Power, 2 uF, 5%, 550 VAC, 850 VDC, 70C, Lead Spacing = 25mm



| Dimensions | |
|------------|-----------------|
| L | 42mm NOM |
| H | 45mm NOM |
| T | 30mm NOM |
| S | 25mm +/-0.2mm |
| S1 | 21.5mm +/-0.2mm |
| P | 10.5mm NOM |

| Packaging Specifications | |
|--------------------------|-----------|
| Packaging: | Bulk, Bag |
| Packaging Quantity: | 32 |

| General Information | |
|---------------------|--------------------------|
| Supplier: | KEMET |
| Series: | C4BS |
| Dielectric: | Metallized Polypropylene |
| Style: | Radial |
| Features: | IGBT Circuit |
| RoHS: | Yes |
| Lead: | Flat Tabs |
| Miscellaneous: | Kemet Style A Tabs |

| Specifications | |
|------------------------|--|
| Capacitance: | 2 uF |
| Capacitance Tolerance: | 5% |
| Voltage AC: | 550 VAC |
| Voltage DC: | 850 VDC |
| Temperature Range: | -40/+85C |
| Rated Temperature: | 70C |
| Max dV/dt: | 758 V/us |
| Resistance: | 2.1 mOhms (100kHz) |
| Ripple Current: | 36 Amps (100kHz 70C), 1517 Amps (Peak) |
| Inductance: | 43 nH |