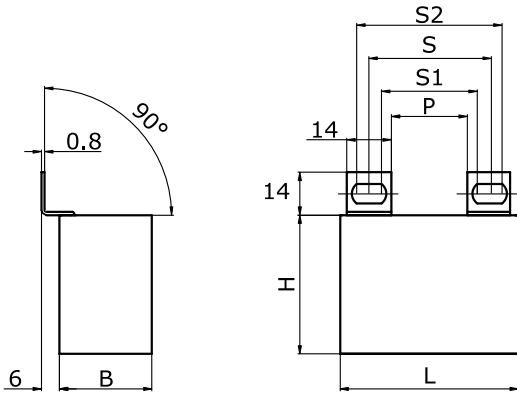


C4BS, Film, Metallized Polypropylene, Power, 3 uF, 5%, 600 VAC, 1000 VDC, 70C, Lead Spacing = 41mm



Dimensions

L	57.5mm NOM
H	45mm NOM
T	30mm NOM
S	41mm +/-0.2mm
S1	37mm +/-0.2mm
P	25mm NOM

Packaging Specifications

Packaging:	Bulk, Bag
Packaging Quantity:	24

General Information

Supplier:	KEMET
Series:	C4BS
Dielectric:	Metallized Polypropylene
Style:	Radial
Features:	IGBT Circuit
RoHS:	Yes
Lead:	Flat Tabs
Miscellaneous:	Kemet Style A Tabs

Specifications

Capacitance:	3 uF
Capacitance Tolerance:	5%
Voltage AC:	600 VAC
Voltage DC:	1000 VDC
Temperature Range:	-40/+85C
Rated Temperature:	70C
Max dV/dt:	512 V/us
Resistance:	2.8 mOhms (100KHz)
Ripple Current:	33 Amps (100kHz 70C), 1536 Amps (Peak)
Inductance:	45 nH