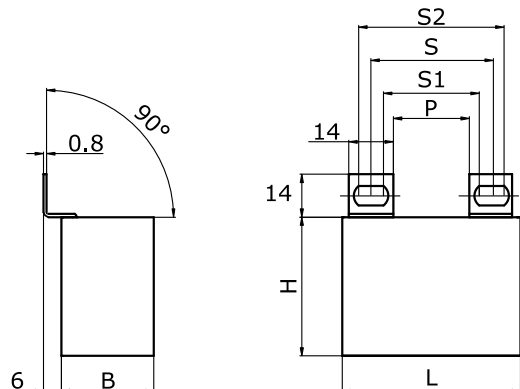


C4BS, Film, Metallized Polypropylene, Power, 1.2 uF, 5%, 630 VAC, 1200 VDC, 70C, Lead Spacing = 25mm



| Dimensions | |
|------------|-----------------|
| L | 42.5mm NOM |
| H | 37mm NOM |
| T | 28mm NOM |
| S | 25mm +/-0.2mm |
| S1 | 21.5mm +/-0.2mm |
| P | 10.5mm NOM |

| Packaging Specifications | |
|--------------------------|-----------|
| Packaging: | Bulk, Bag |
| Packaging Quantity: | 36 |

| General Information | |
|---------------------|--------------------------|
| Supplier: | KEMET |
| Series: | C4BS |
| Dielectric: | Metallized Polypropylene |
| Style: | Radial |
| Features: | IGBT Circuit |
| RoHS: | Yes |
| Lead: | Flat Tabs |
| Miscellaneous: | Kemet Style A Tabs |

| Specifications | |
|------------------------|--|
| Capacitance: | 1.2 uF |
| Capacitance Tolerance: | 5% |
| Voltage AC: | 630 VAC |
| Voltage DC: | 1200 VDC |
| Temperature Range: | -40/+85C |
| Rated Temperature: | 70C |
| Max dV/dt: | 965 V/us |
| Resistance: | 2.8 mOhms (100KHz) |
| Ripple Current: | 29 Amps (100kHz 70C), 1158 Amps (Peak) |
| Inductance: | 36 nH |