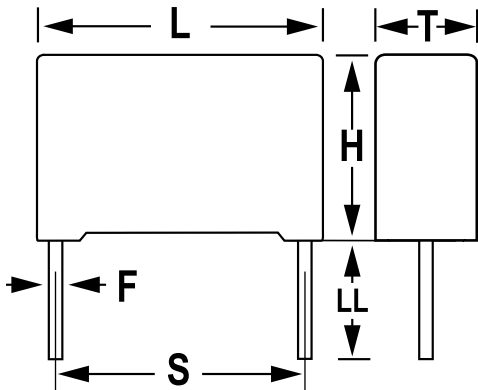


R46_275, Film, Metallized Polypropylene, Safety, 0.047 uF, 10%, 275 VAC (X2), 560 VDC, 110C, Lead Spacing = 10mm



General Information	
Supplier:	KEMET
Series:	R46_275
Dielectric:	Metallized Polypropylene
Style:	Radial
Features:	EMI Safety
RoHS:	Yes
Lead:	Wire Leads
Qualifications:	ENEC, UL, cUL, CQC
Notes:	We Recommended To Use R46 @ 310 VAC

Dimensions	
L	13mm +0.2mm
H	11mm +0.1mm
T	5mm +0.2mm
S	10mm +/-0.4mm
LL	25mm +2/-1mm
F	0.6mm +/-0.05mm

Specifications	
Capacitance:	0.047 uF
Capacitance Tolerance:	10%
Voltage AC:	275 VAC (X2)
Voltage DC:	560 VDC
Temperature Range:	-40/+110C
Rated Temperature:	110C
Dissipation Factor:	0.10% 1kHz
Insulation Resistance:	100 GOhms
Max dV/dt:	500 V/us
Safety Class:	X2

Packaging Specifications	
Packaging:	Bulk, Bag
Packaging Quantity:	1500