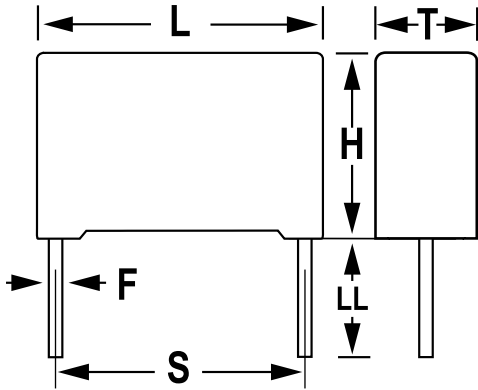


KEMET Part Number: PHE844RR7100MR06L2
 (F844RH105M440C, PHE844RR7100MR04R06L2)

PHE844/F844, Film, Metallized Polypropylene, Safety, 1 uF, 20%, 440 VAC (Y1) (ENEC), 480 VAC (UL, cUL), 1000 VDC, 105C, Lead Spacing = 37.5mm



General Information	
Supplier:	KEMET
Series:	PHE844/F844
Dielectric:	Metallized Polypropylene
Style:	Radial
Features:	EMI Safety
RoHS:	Yes
Lead:	Wire Leads
Qualifications:	ENEC, UL, cUL
Miscellaneous:	ClimCat: 40/105/56/B

Dimensions	
L	41mm MAX
H	26mm MAX
T	15mm MAX
S	37.5mm +/-0.5mm
LL	6mm -1mm
F	1mm +/-0.05mm

Specifications	
Capacitance:	1 uF
Capacitance Tolerance:	20%
Voltage AC:	440 VAC (Y1) (ENEC), 480 VAC (UL, cUL)
Voltage DC:	1000 VDC
Temperature Range:	-40/+105C
Rated Temperature:	105C
Dissipation Factor:	0.10% 1kHz, 0.40% 10kHz
Insulation Resistance:	10 GOhms
Max dV/dt:	100 V/us
Safety Class:	X1

Packaging Specifications	
Packaging:	Bulk, Tray
Packaging Quantity:	119